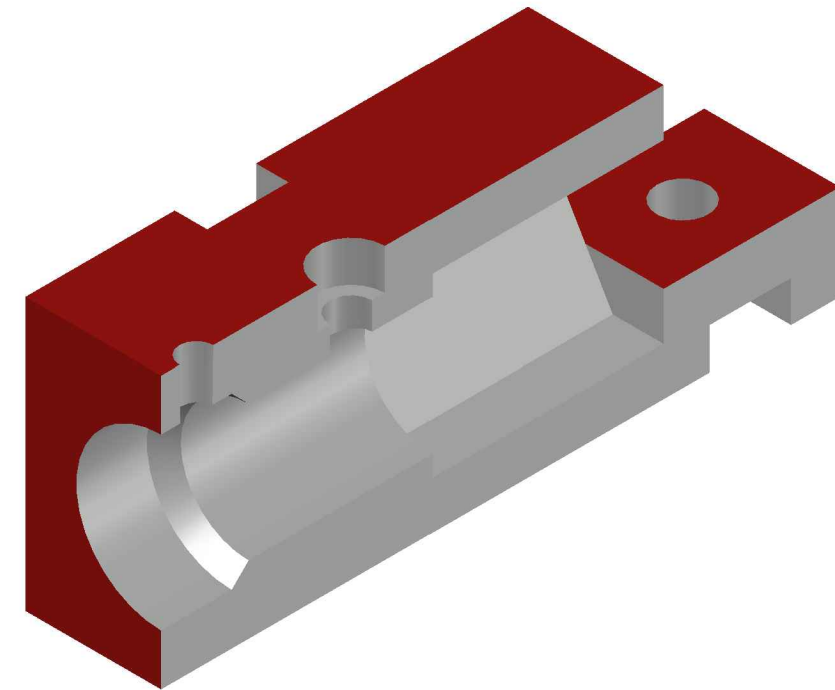
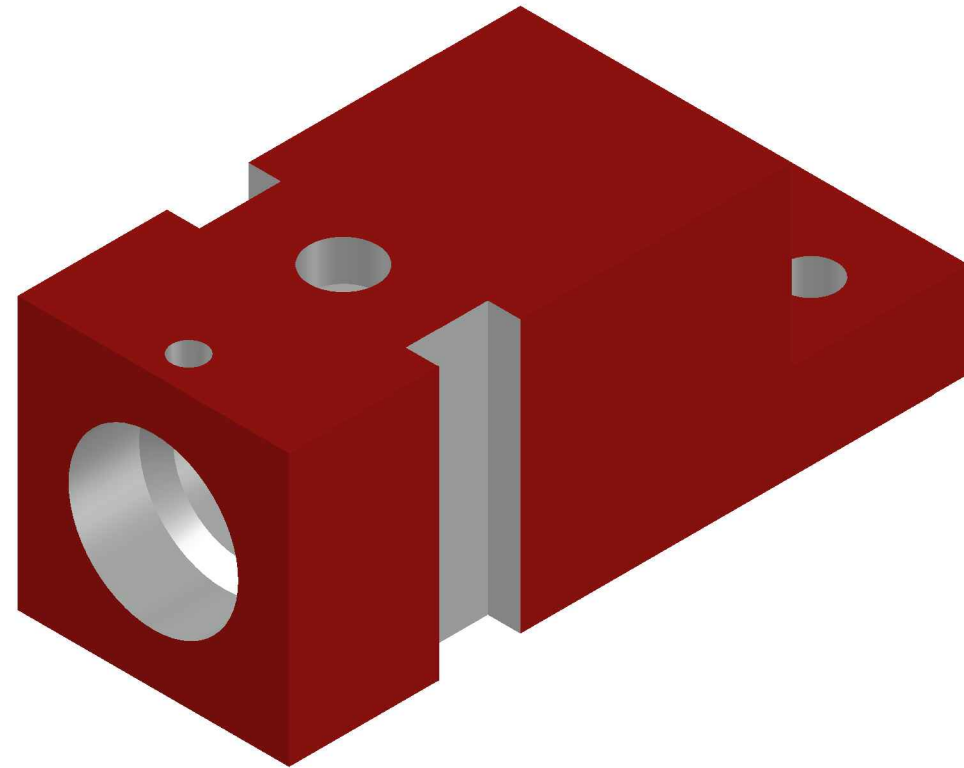


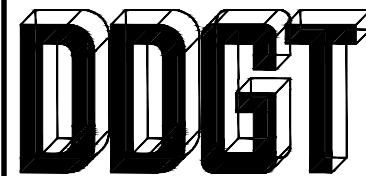
PARTS LIST

ITEM	QTY.	PART NAME	MATERIAL
1	1	CASING	SAE 1012



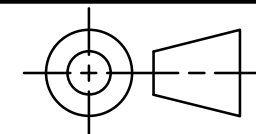
LEGEND:

- ∅ DIAMETER
- R RADIUS
- ° DEGREES
- | | SPOTFACE
- ∇ COUNTERBORE



DIGITAL DESIGN
GRAPHICS
TECHNOLOGY

WWW.DDGT.NET



TOLERANCES UNLESS SPECIFIED:
DECIMAL INCHES:
X = ±.020
XX = ±.010
XXX = ±.005
FRACTIONAL ±1/64"
ANGLES ±1 DEGREE
SURFACES 32/

COURSE: DDGT120

AUTOCAD DRAWING NAME:
CASING

FIG #: 9-39

DRAFTER: N. EBELING

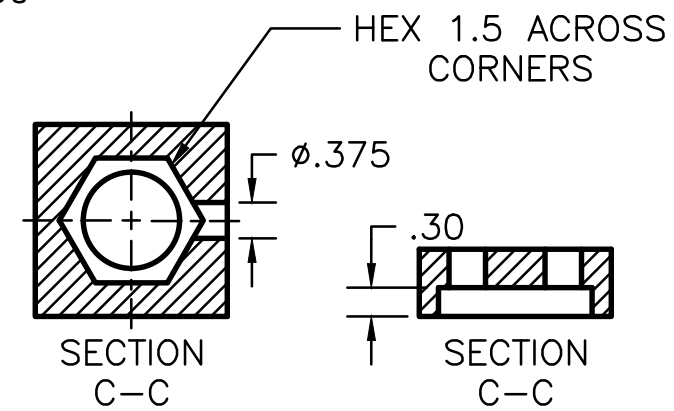
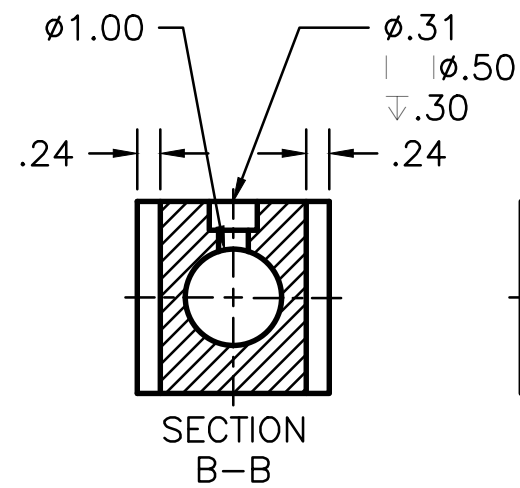
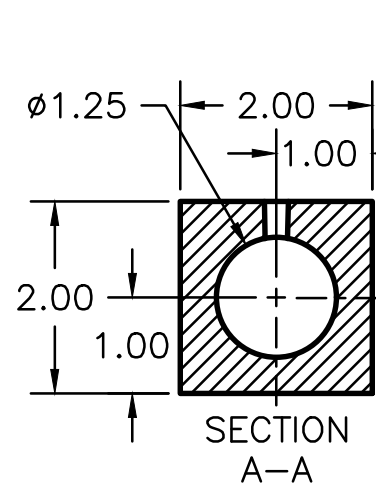
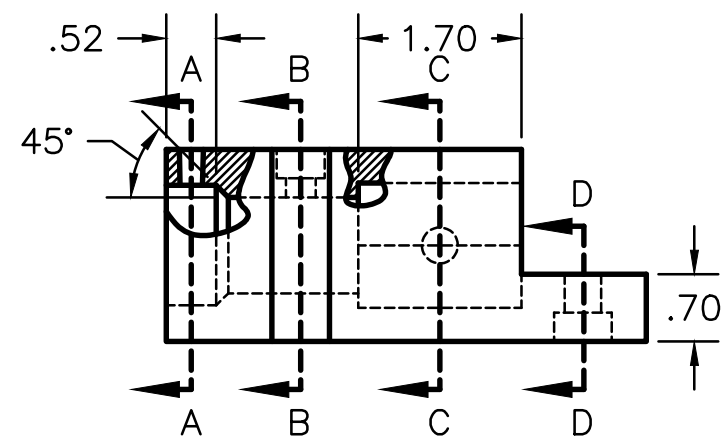
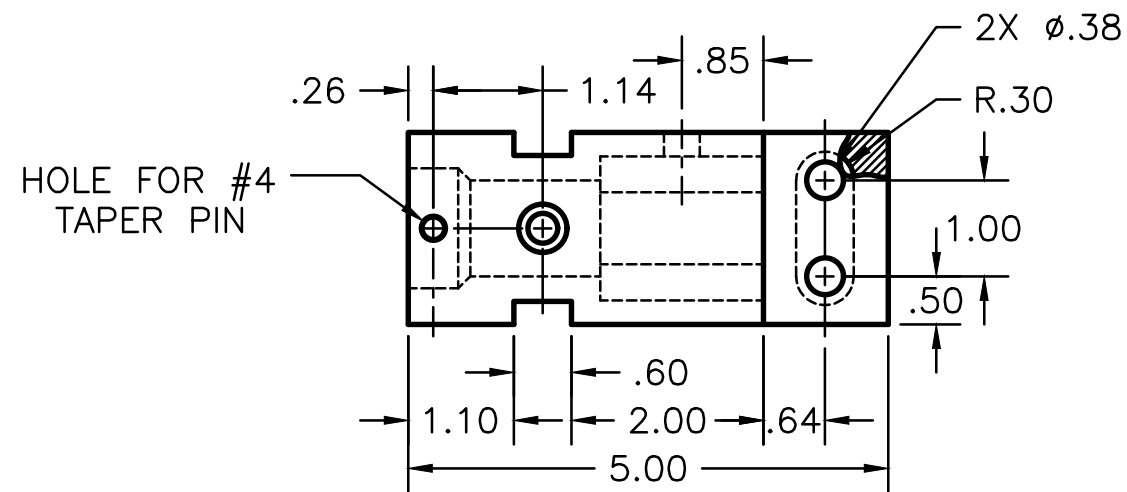
DATE: 11/5/19

SCALE: 1:1

PAGE #: 1 OF 2

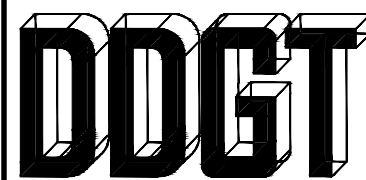
PARTS LIST

ITEM	QTY.	PART NAME
1	1	CASING



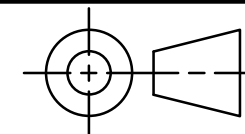
LEGEND:

- ϕ DIAMETER
- R RADIUS
- ° DEGREES
- || SPOTFACE
- ▽ COUNTERBORE



DIGITAL DESIGN
GRAPHICS
TECHNOLOGY

WWW.DDGT.NET



TOLERANCES UNLESS SPECIFIED:
DECIMAL INCHES:
X = \pm .020
XX = \pm .010
XXX = \pm .005
FRACTIONAL \pm 1/64"
ANGLES \pm 1 DEGREE
SURFACES $\frac{32}{\sqrt{\quad}}$

COURSE: DDGT120

AUTOCAD DRAWING NAME:
CASING

FIG #: 9-39

DRAFTER: N. EBELING

DATE: 10/16/19

SCALE: 1:2

PAGE #: 2 OF 2